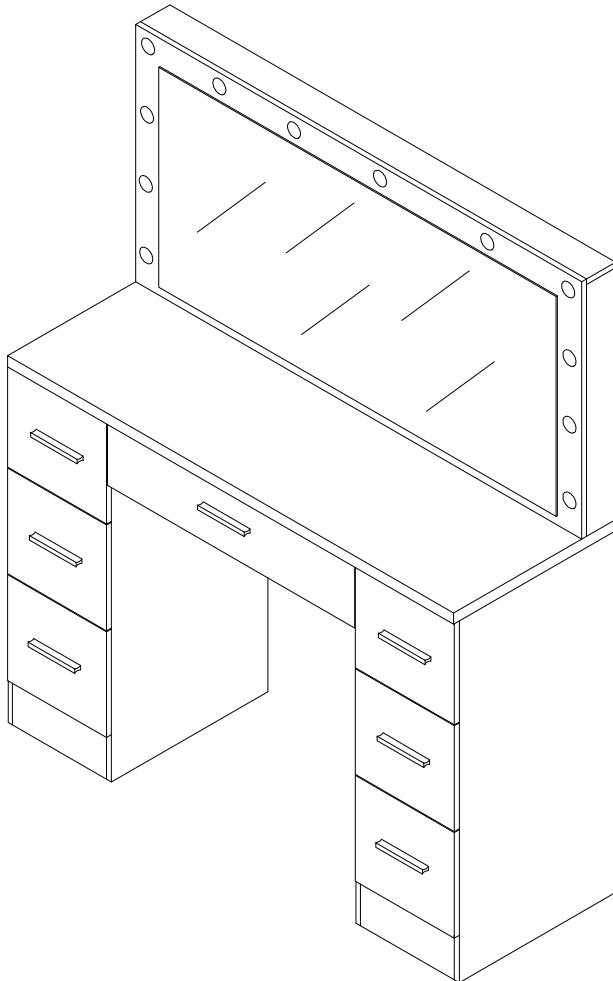


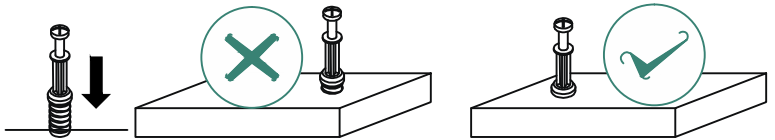
Hollywood mirror Table Station

Assembly Instructions

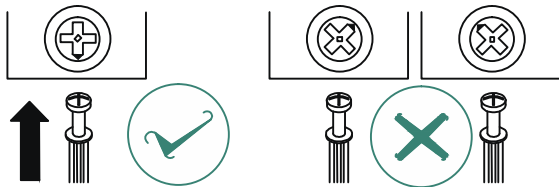


USING CAM LOCK AND QUICKFIT

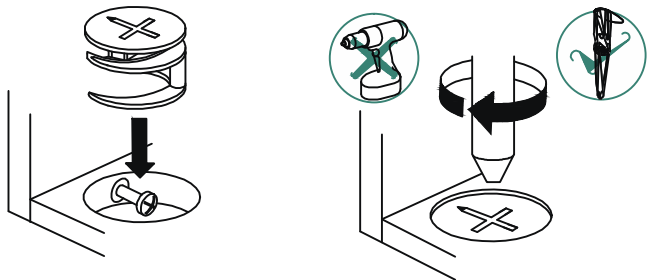
Tighten quickfit until shoulder is flush with panel. Do not overtighten or undertighten



When fitting cam lock, ensure starting position is correct before you insert connecting quickfit.

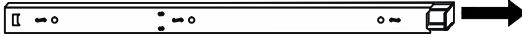


Quickfit head should be in the centre of the cam lock when the two panels are joined.
Cam lock should be inserted before quickfit
Turn cam lock clockwise to tighten.

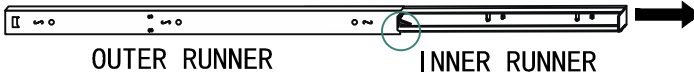


PRE-FIX DRAWER RUNNER INSTRUCTIONS

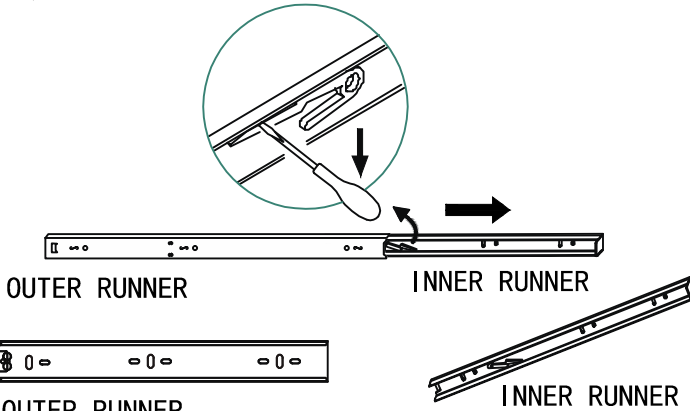
Pull inner and outer drawer runners apart before lock can be seen as panels.



Slide drawer runners apart until the drawer lock can be seen as shown.



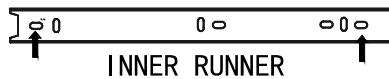
Press and hold the drawer runner lock and then continue to slide drawer runners apart, as shown.



Your inner and outer drawer runners are ready to be fixed to panels

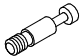



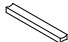



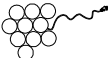


⚠ When installing the outer guide rail, please use the guide rail notch to assemble towards the inner direction of the drawer. Please fix the screws according to the marked position. If the installed position is changed, adjust it side-to-side at the marked position.

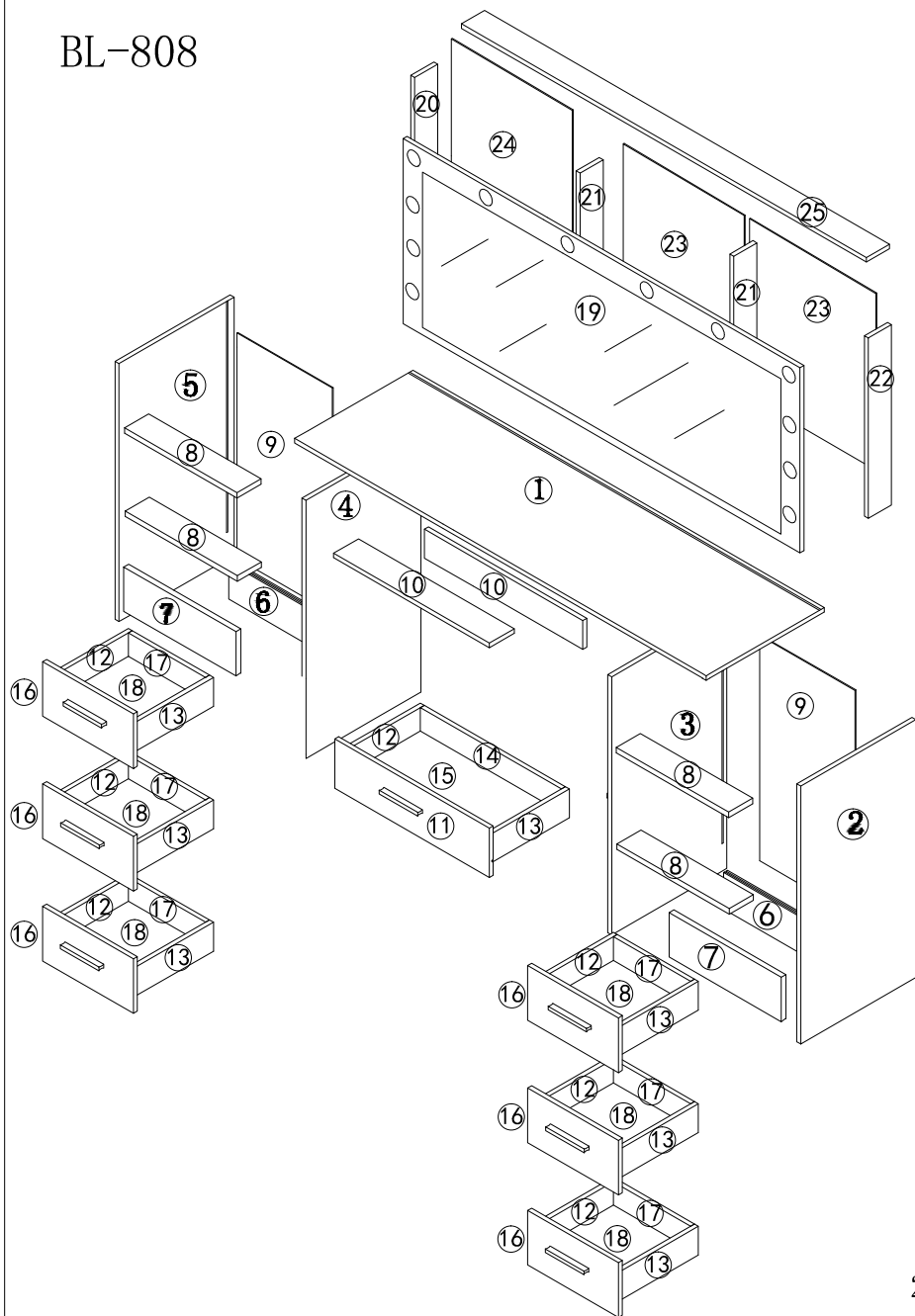


⚠ When installing the inner guide rail, please use the guide rail notch to assemble towards the inner direction of the drawer. Please fix the screws according to the marked position. If the installed position is changed, adjust it up and down at the marked position.

Accessories

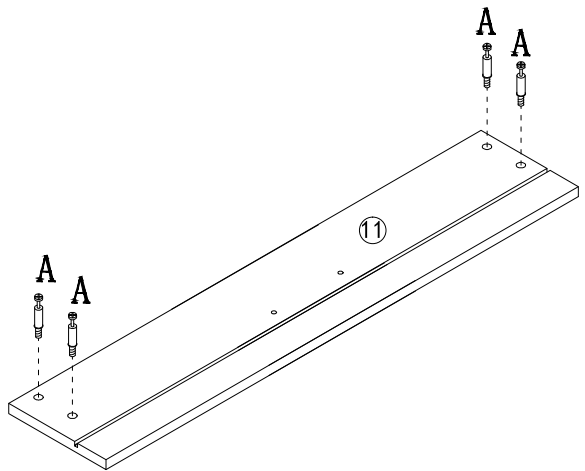
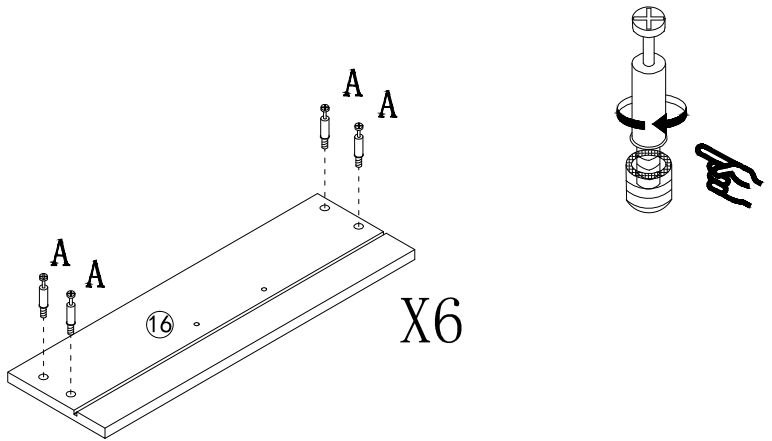
 <p>Three-in-one screw A*96</p>	 <p>Three-in-one nut B*96</p>	 <p>drawer Track C*14</p>			
 <p>Small Screw D*66</p>	 <p>Handle E*7</p>	 <p>Handle Screw F*14</p>	 <p>Stool foot nail M*8</p>	 <p>Small Screw X*36</p>	 <p>Bulb K*1</p>

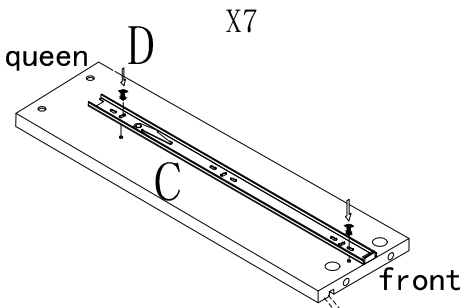
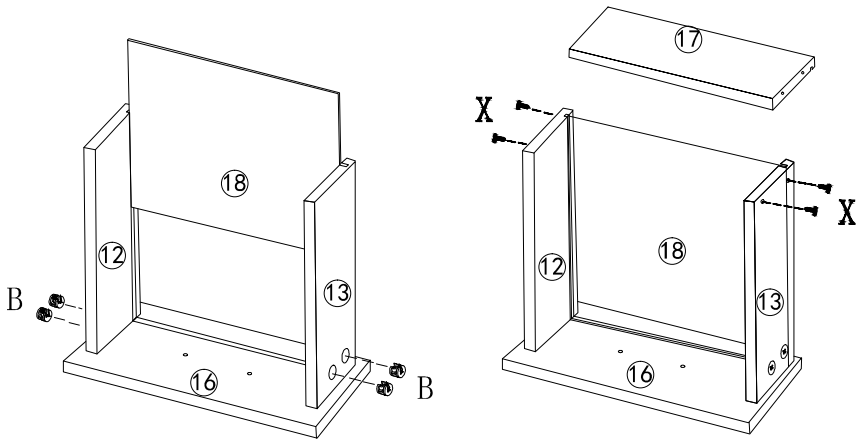
BL-808



Guidelines for the use of 3-in-1 connecting rods :

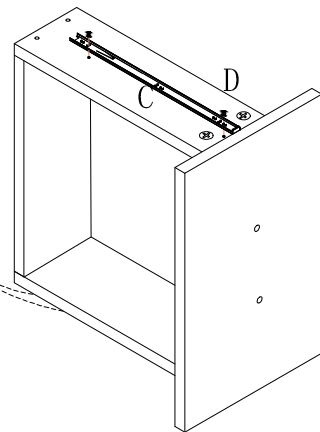
The blue screw cap at the top of the 3-in-1 connecting rod is twist-able, and it can be twisted clockwise or counterclockwise to fit the size of the reserved holes in the wooden board. When this blue screw cap is too tight or too loose, it may not be able to be inserted into the holes reserved. When you use this 3-in-1 connecting rod, if you find that it can't be inserted into the reserved holes on the wooden board, just loosen or tighten the blue screw cap a bit until it fits into the holes of the board.

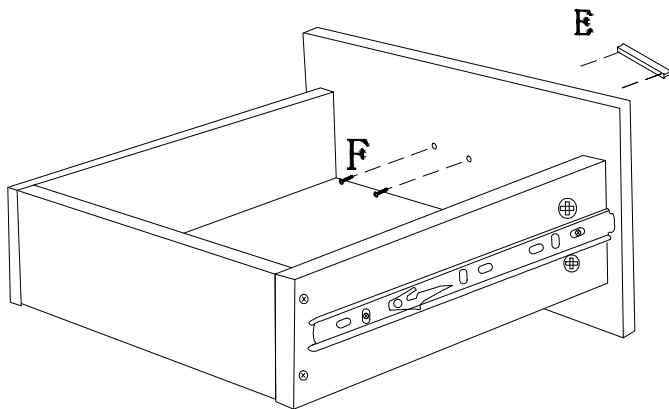




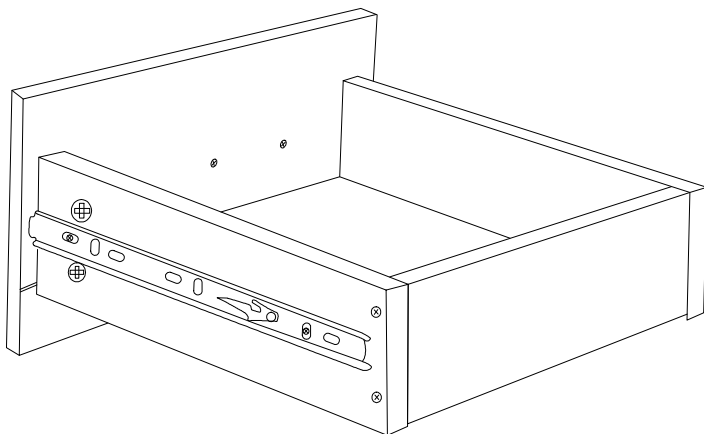
X7

X7



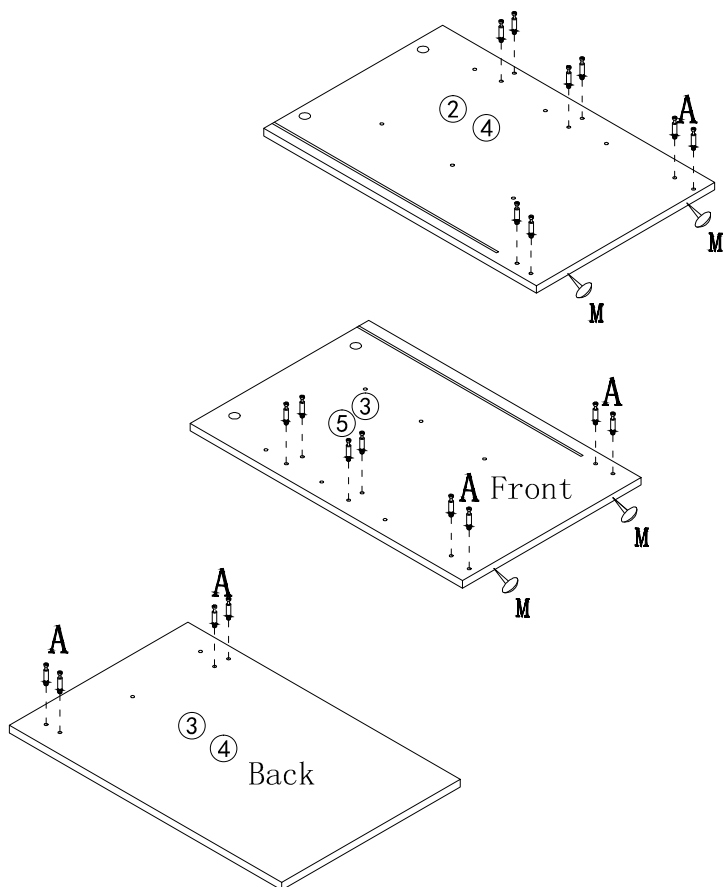


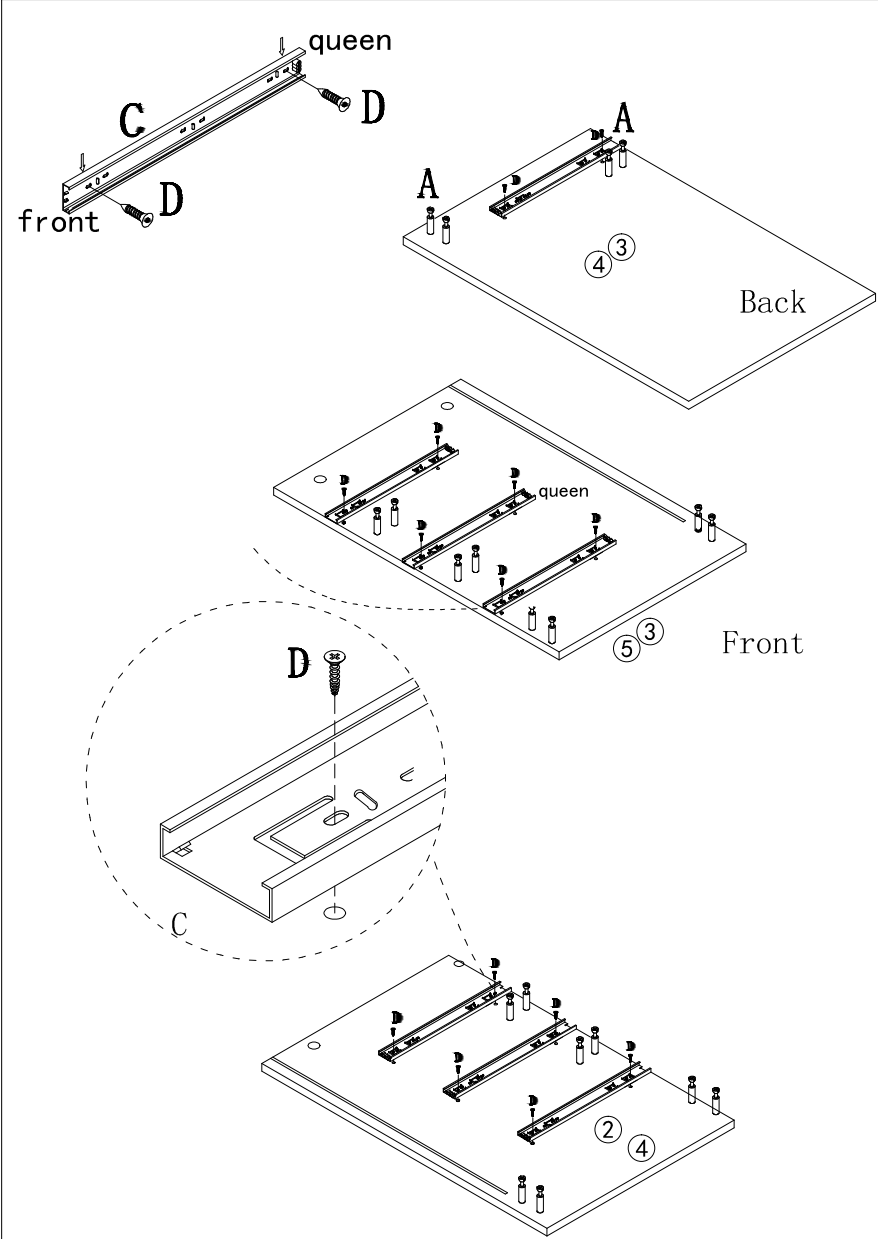
X7

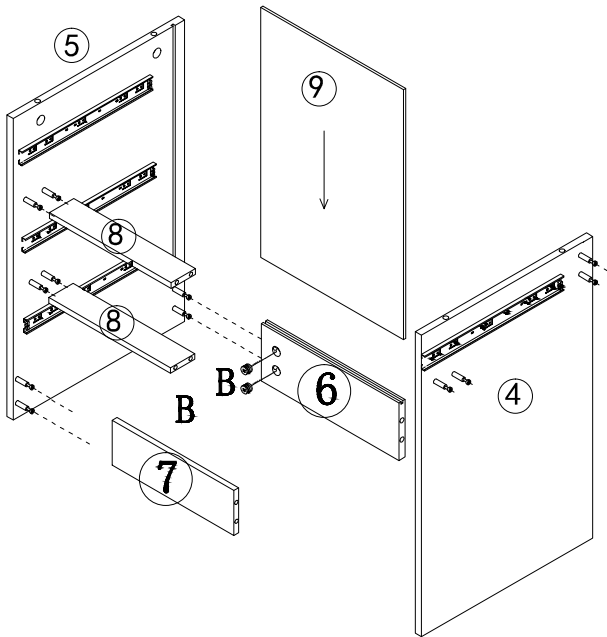


Part 3: Desk

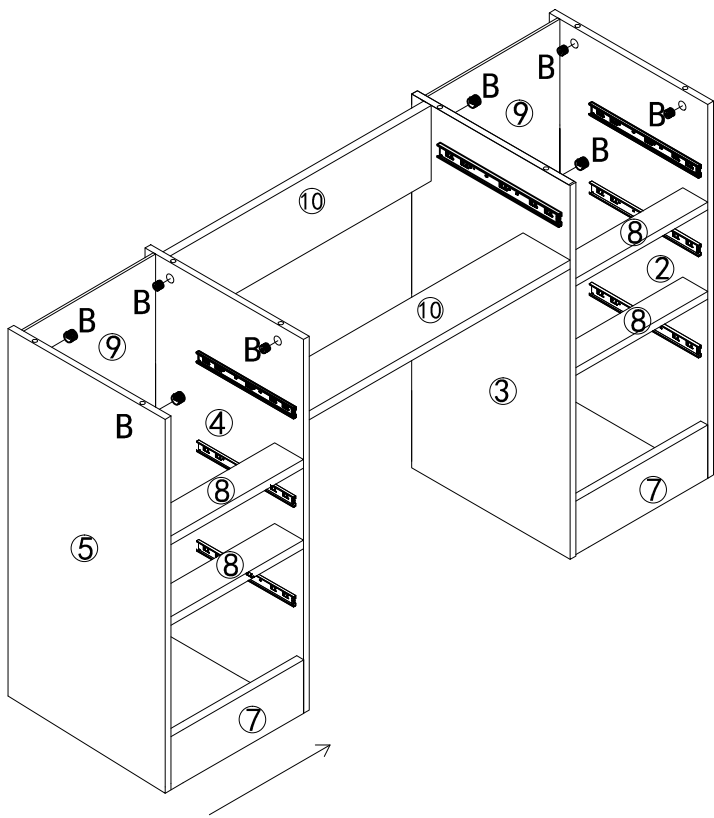
Accessories needed: 1, 2, 3, 4, 5, 6, 7, 8, 9, 10,
A, C, D, B, M



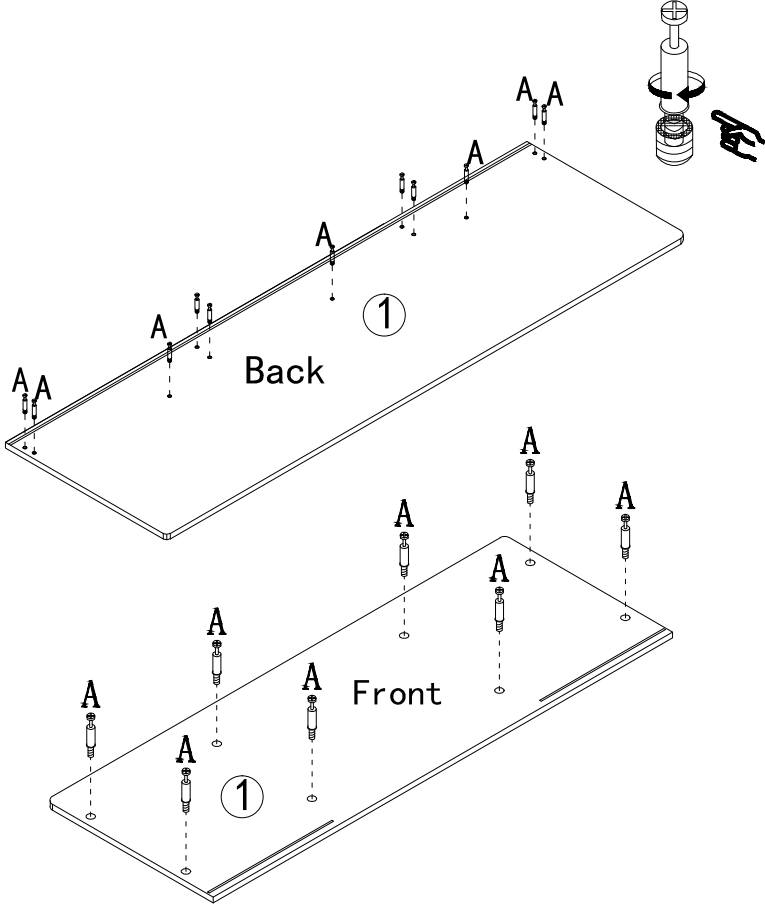


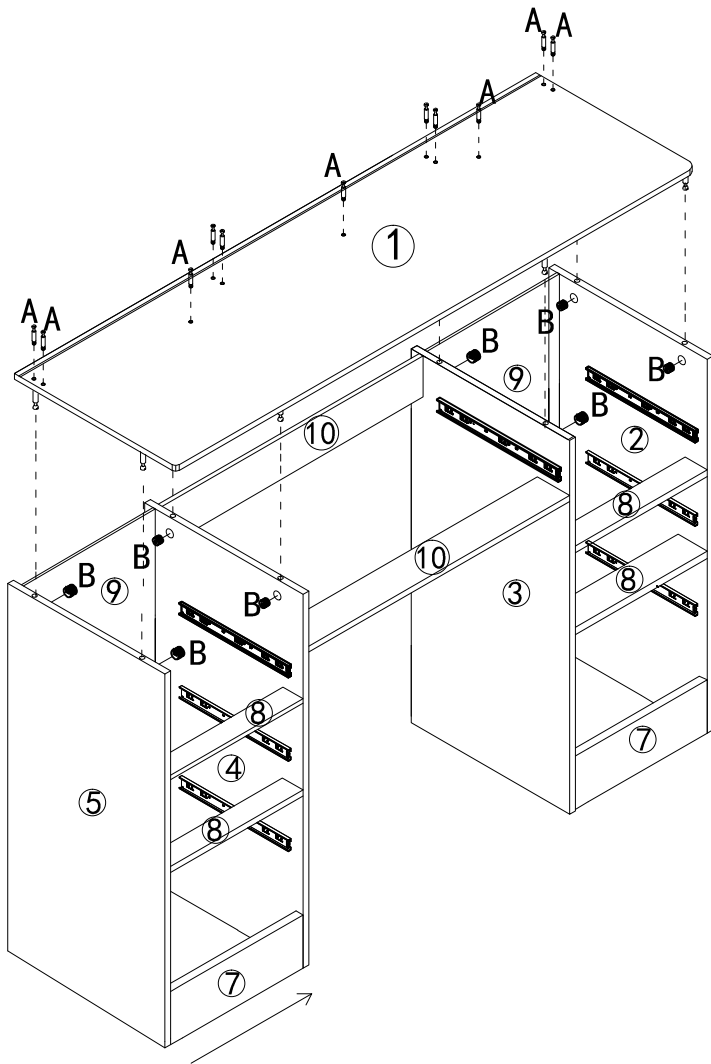


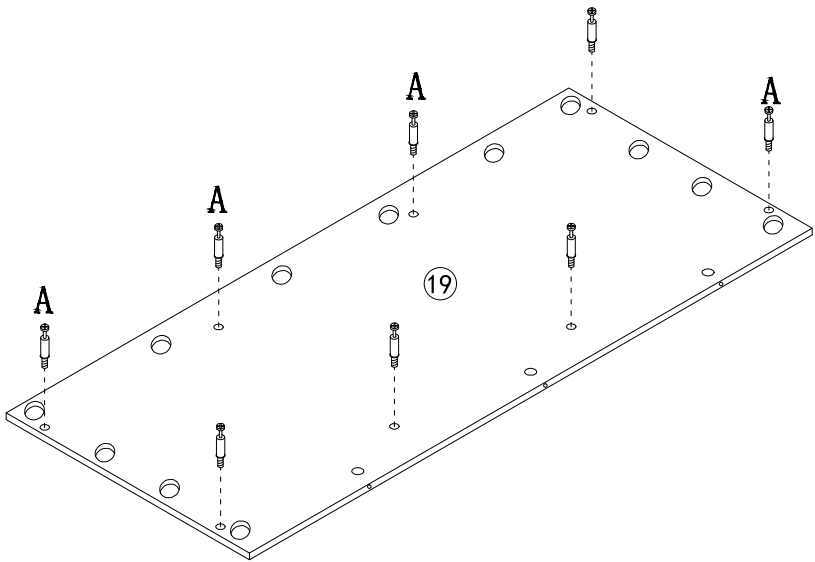
X2



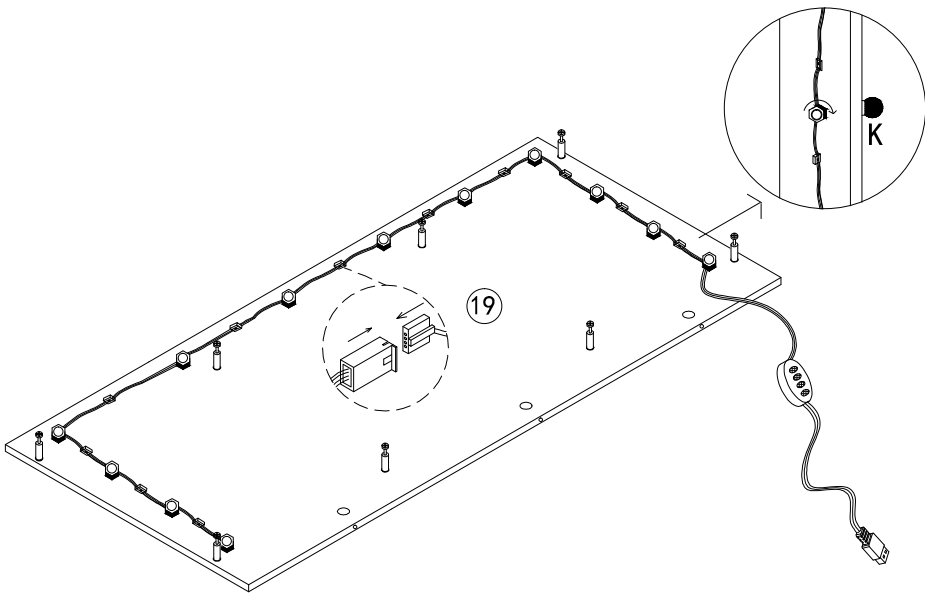
Put it into the reserved holes and
tighten the screw





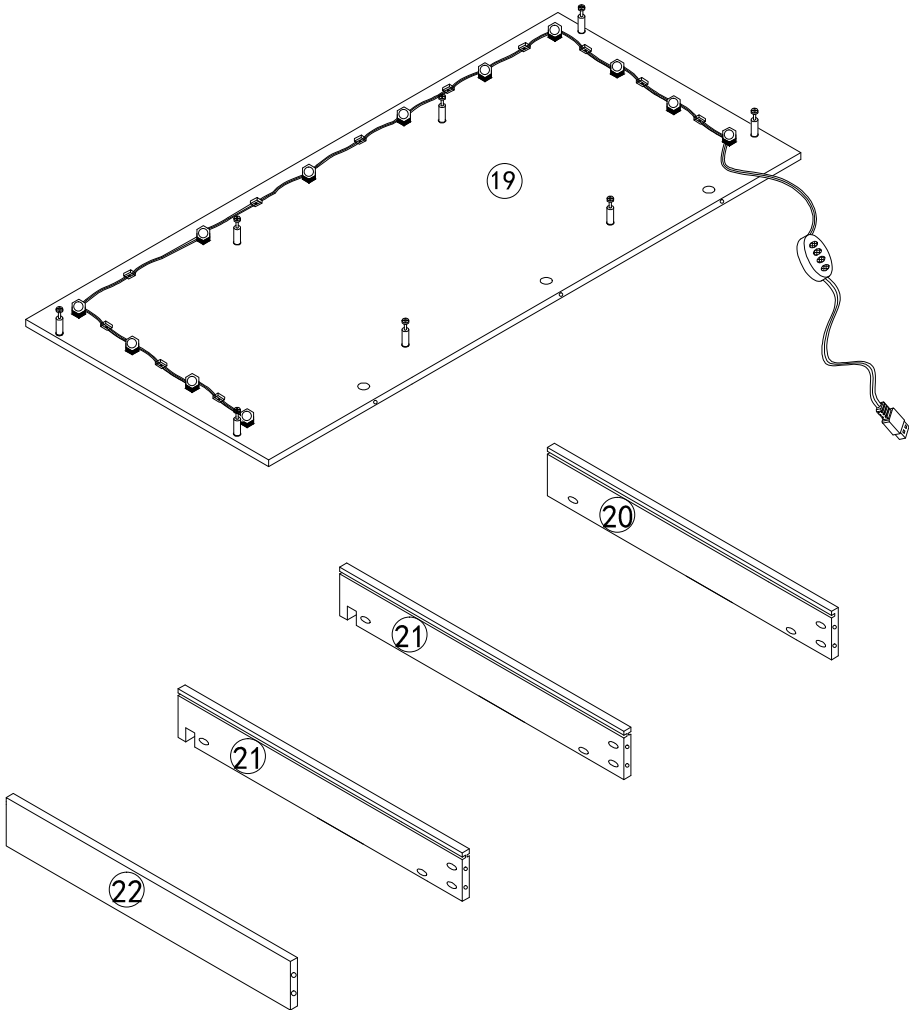


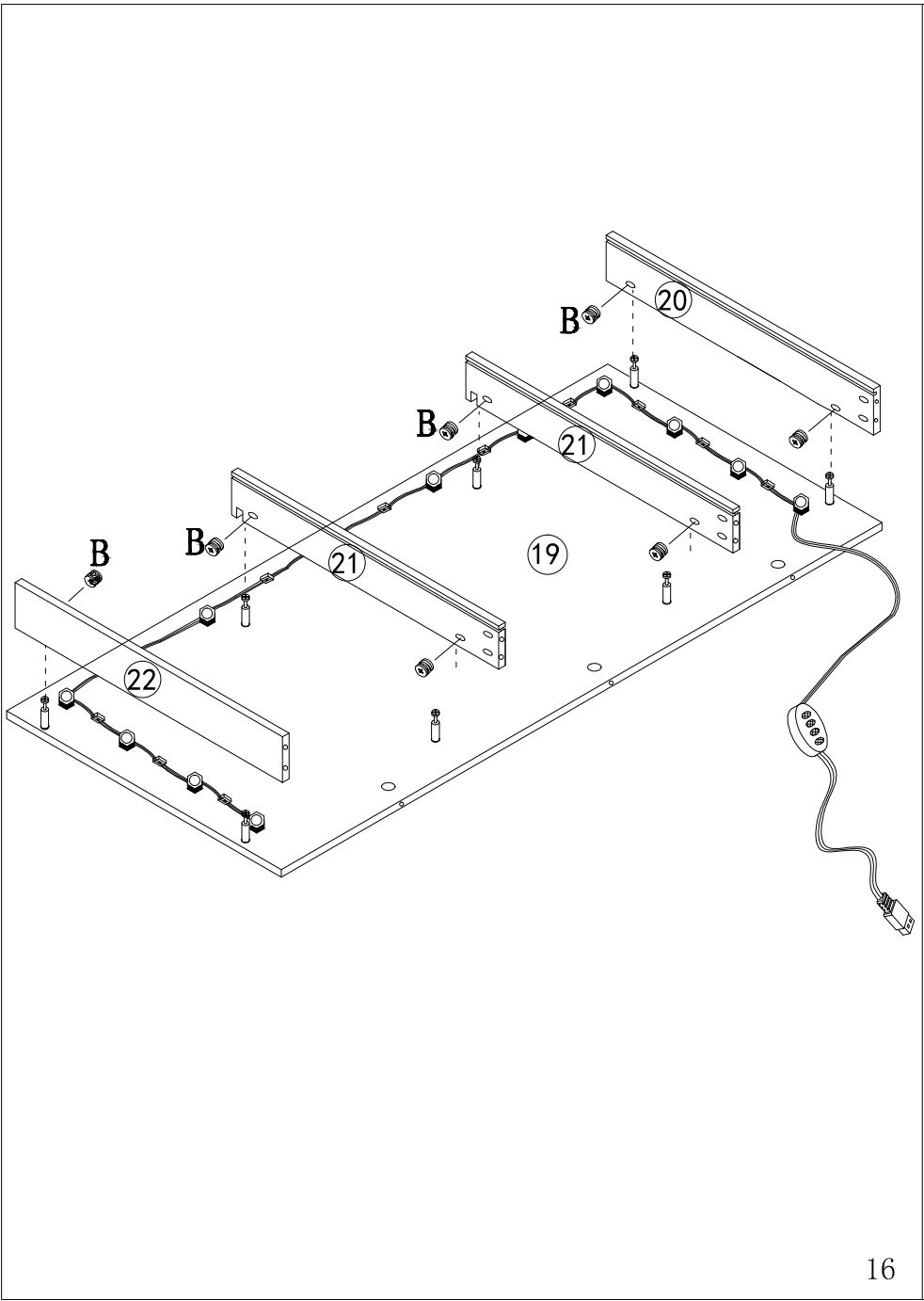
Part 5: The installation method of the electric bubble is shown in the figure

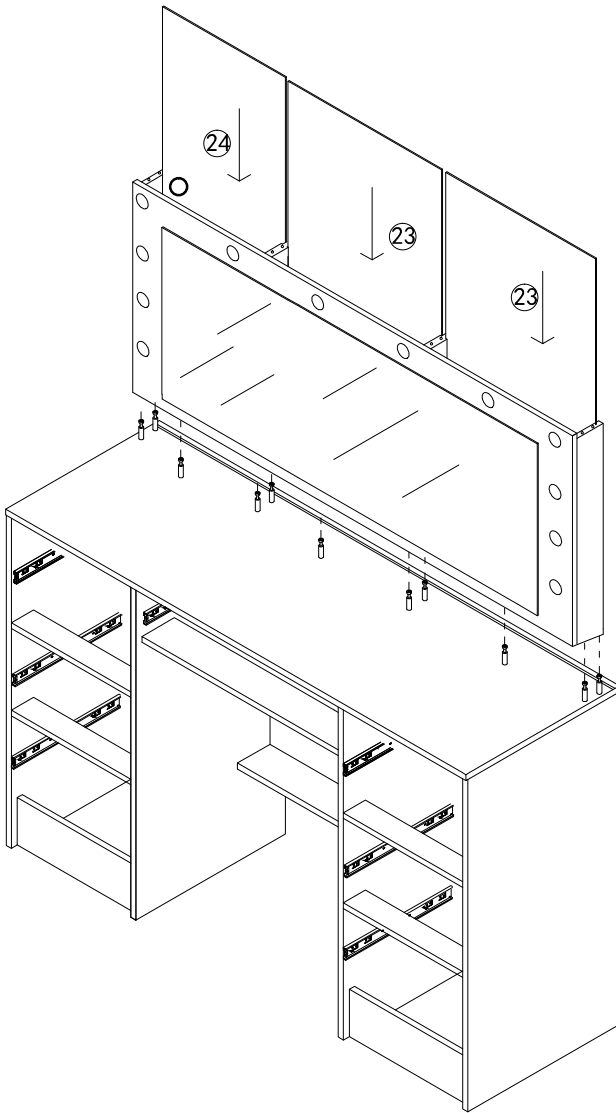


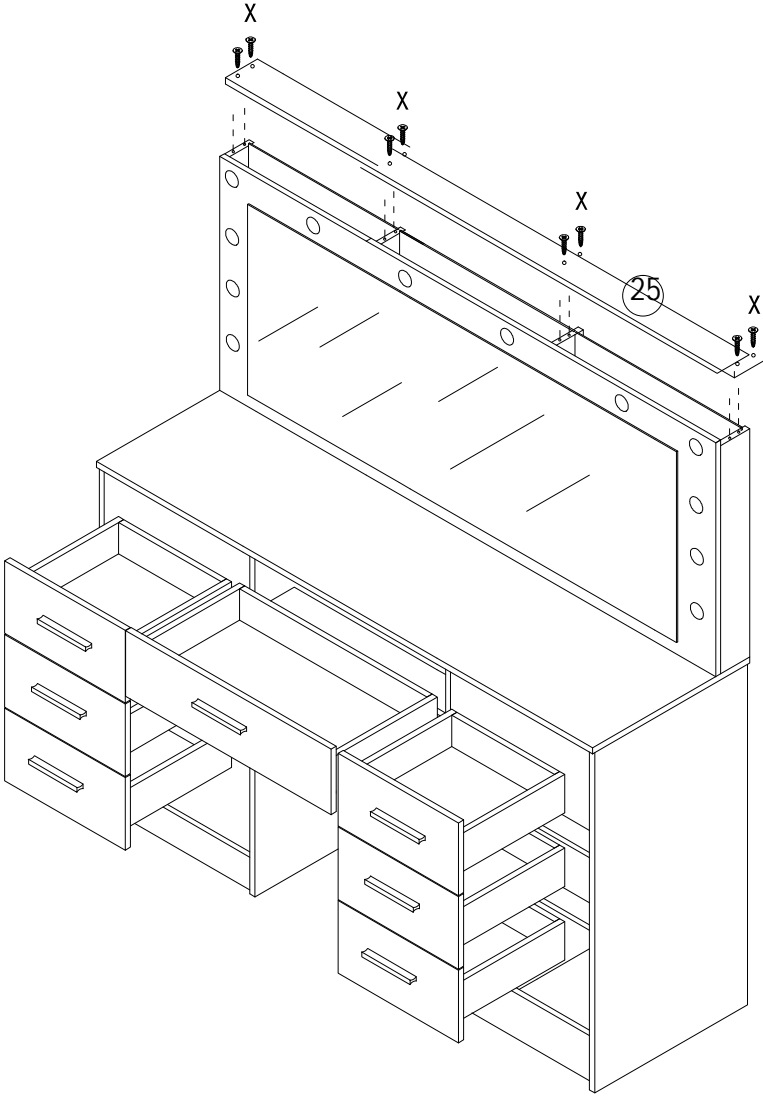
Part 4: Shelf

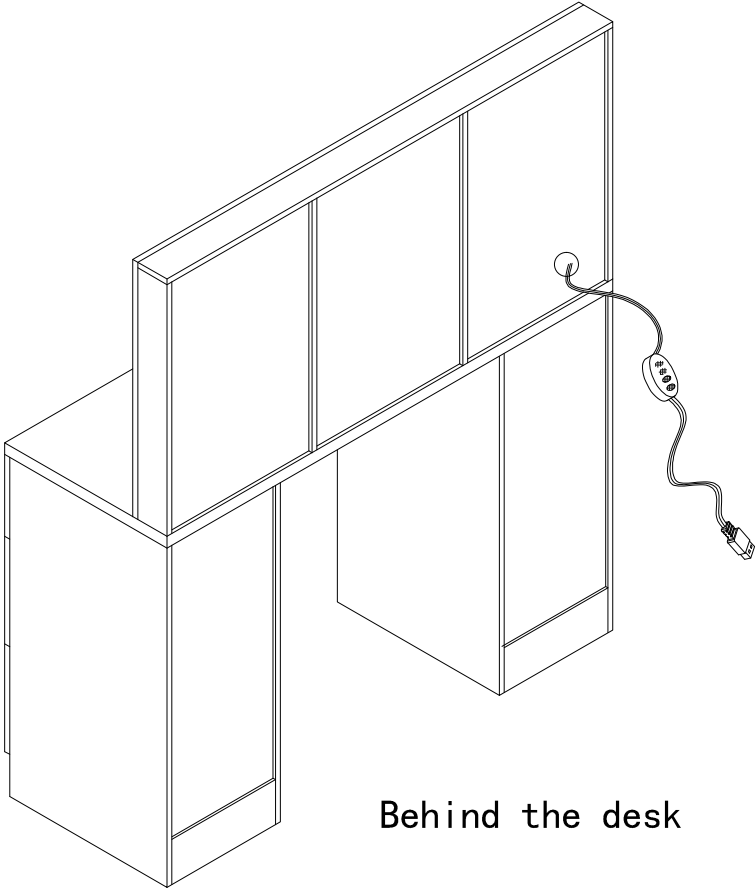
Accessories needed: 19, 20, 21, 21, 22, 23, 23, 24, 25
;A, B, K, X











Behind the desk